

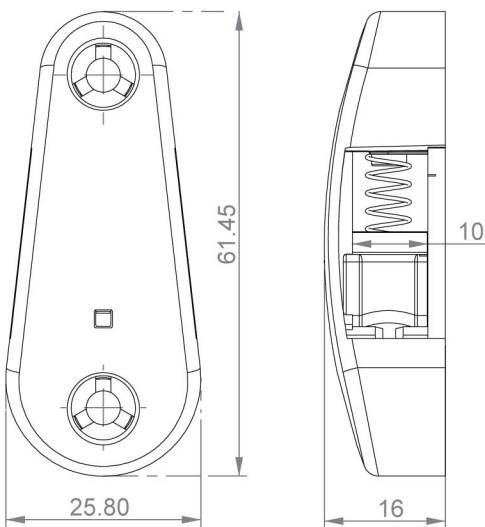


## FEATURES & BENEFITS

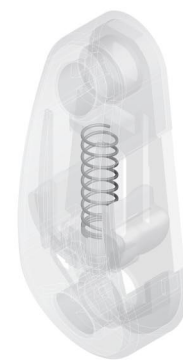
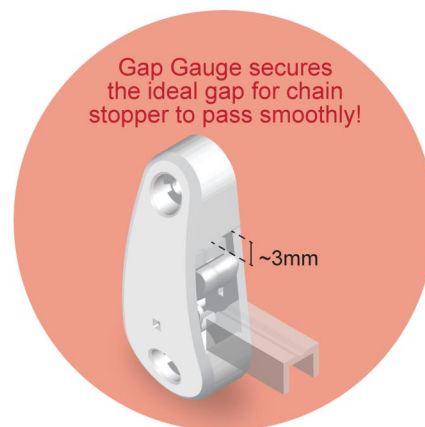
- ✓ *Internal mechanism ensures safety operation for children by locking the chain if it is not under tension or becomes loose*
- ✓ *Gap Gauge makes installation effortless and provides ideal gap for smooth chain operation*
- ✓ *Sleek aesthetic that can work with any decor*
- ✓ *Designed to operate seamlessly with stainless steel ball chains, metal connectors and stoppers*
- ✓ *Our tensioner adheres to the safety measures set by the ANSI/WCMA A100.1-2022 Safety Standard*



## DIMENSIONS



## AVAILABLE COLORS



**VC-756/VC-766**  
 Clear  
 50 sets/bag



**VC-751/VC-761**  
 White  
 50 sets/bag



[www.zmc.ca](http://www.zmc.ca)



[contact@zmc.ca](mailto:contact@zmc.ca)



(905) 856-3838 or US Toll Free 1-800-541-2557



## EASY ASSEMBLY & INSTALLATION

